



Because every mile matters.™



Bus Sales | Service | Parts | Body Shop

Carolina Thomas Open House

S3B Seat Improvements



SYNTEC

SEATING SOLUTIONS

A Takata Company

2014 "Tapered" Thomas Seat*



Because every mile matters.™



39" Seat Back Cover Pro Blue
Part # H39SK20BUCV

39" Foam Back
Part # TBB184144

39" Cushion Cover Pro Blue
Part # H390020CVCS

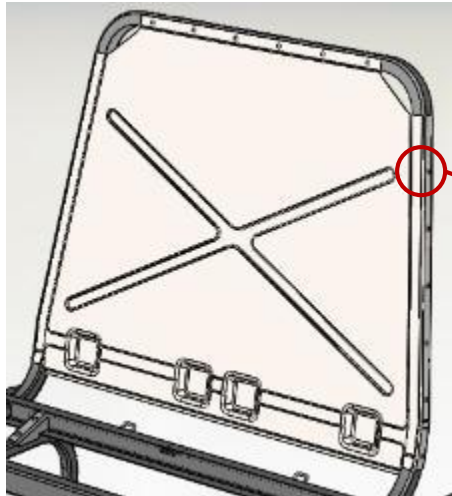
39" Cushion Foam
Part # 2475461

**Installed on 2014 & 2015 NC Contract Thomas buses
2009 – 2013 seats may be converted to "tapered back" foam and cover*



Feature

- ❑ The metal back panel is formed around a U-Channel frame, so spot welds are on a flat surface versus round tube.



Benefit

- ❑ Extended back panel life

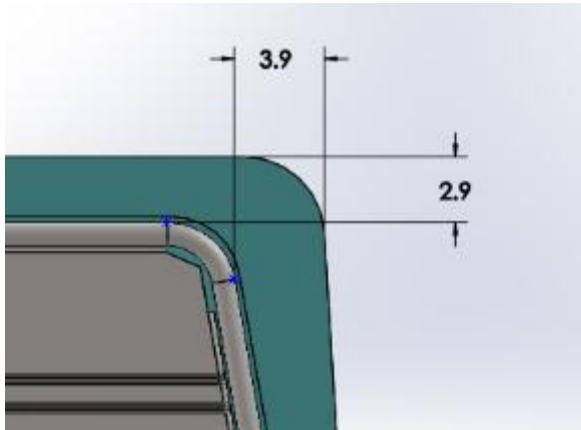
Side View



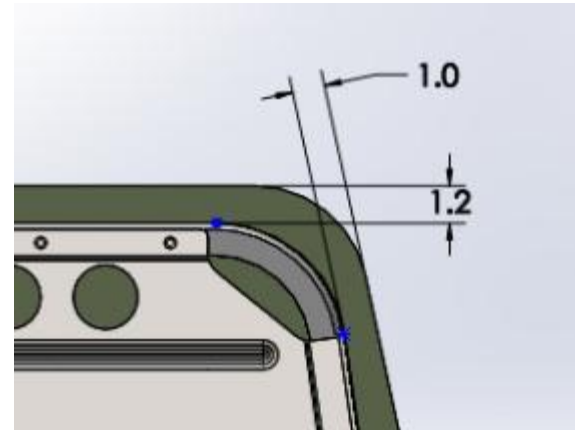


Feature

- ❑ Wider & taller seat back frame while achieving lower overall seat height
- ❑ Foam design includes taper at top corners on 39" seats



TBB Legacy Seat
pre-2014 buses



S3B Seat –
2014/15 buses

Benefit

- ❑ Improves corner durability