



C2 Chassis Service Bulletin

UPDATED WITH NEW INFORMATION

You are all aware that we have asked you to inspect crossmembers on your bus chassis. As a result, we have uncovered a couple things that we would like you to know about.



C2 Chassis Service Bulletin

THIS INFORMATION HAS BEEN EXPANDED TO INCLUDE THE C2'S WITH MERCEDES ENGINES AS WELL. ORIGINALLY WE INDICATED IT WAS THE LATEST BUSES WITH CUMMINS ENGINES BUT HAVE EXPANDED IT NOW TO INCLUDE THE C2'S WITH MERCEDES ENGINES BECAUSE OF INFO RECEIVED FROM CLEVELAND COUNTY.

Included you will find:

- Recommended torques on bolts for a rear crossmember. This is FOR ALL C2's.
- A service bulletin reference to the front motor mount and crossmember. Still Cummins only.



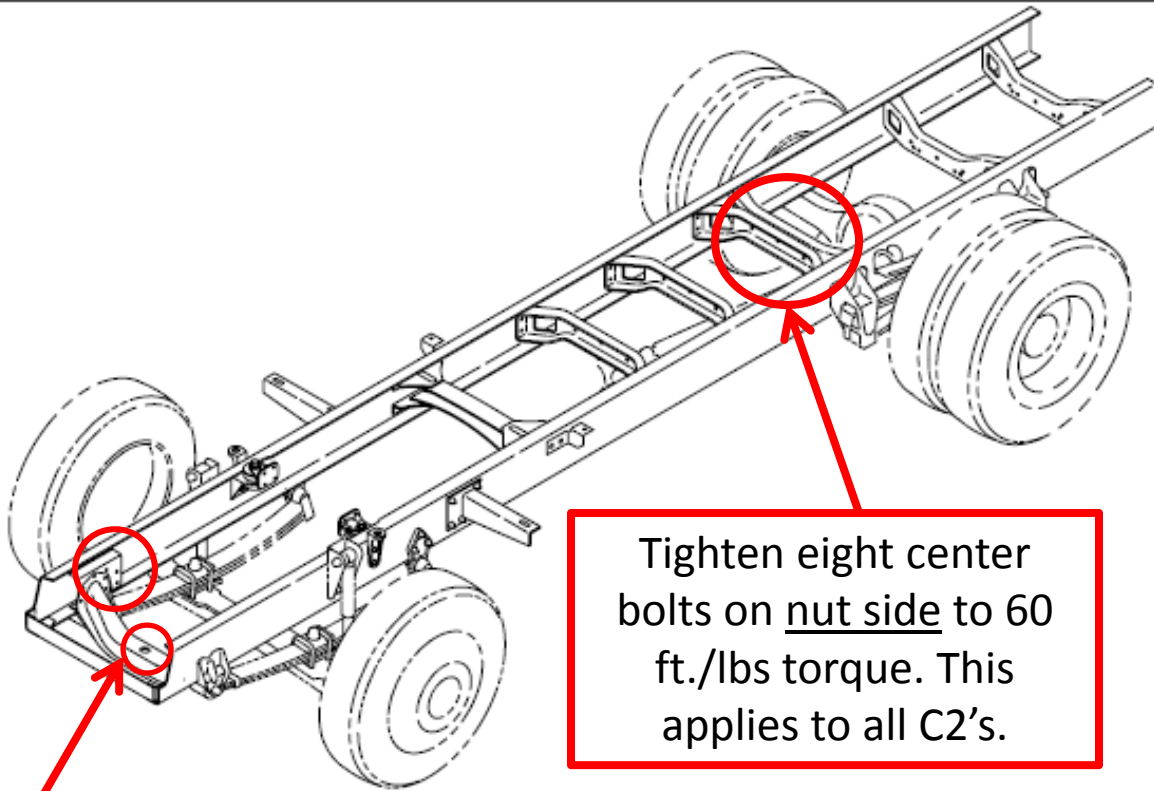
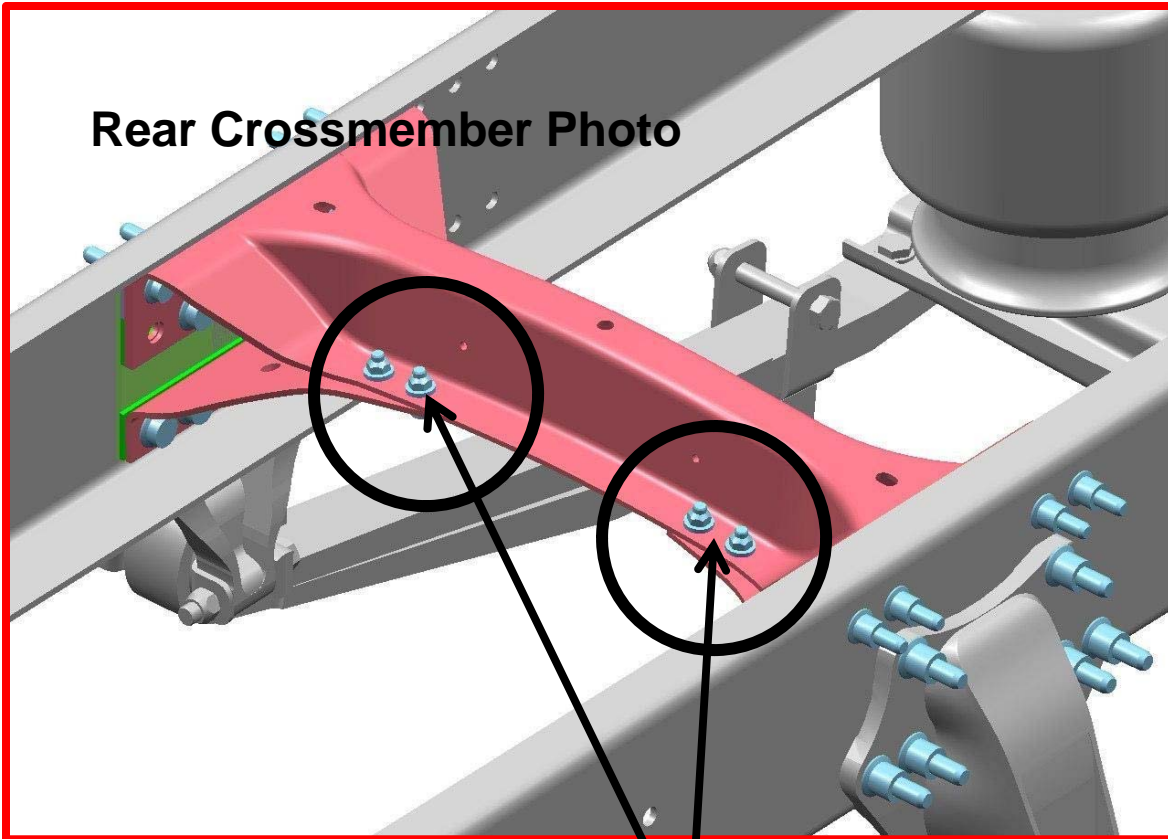


Fig. 1, Frame Assembly

Service Bulletin S405A. Get this on Access Freightliner using your CPWA Log on. Perform Bulletin **and** check bolts in crossmember to frame for proper torque. This bulletin remains for Cummins only units.



Rear Crossmember Photo



Check these eight bolts for proper torque of 60 ft. lbs. torque on the nut side of the fastener. If they cannot be properly tightened, call Carolina Thomas for warranty replacement.





Please see Access Freightliner for service bulletin S405A by using your CPWA log on.

Please do not confuse this with previous crossmember communications.

Please call Kerry or Woody at 800-440-3492 if you have any questions or if you need bolts under warranty.

