



C2 Chassis Service Bulletin

You are all aware that we have asked you to inspect crossmembers on your bus chassis. As a result, we have uncovered a couple things that we would like you to know about.





C2 Chassis Service Bulletin

Included you will find:

- **A service bulletin on the front motor mount and crossmember.**
- **Recommended torques on bolts for a rear crossmember.**

NOTE: This is only for C2's with Cummins engines.



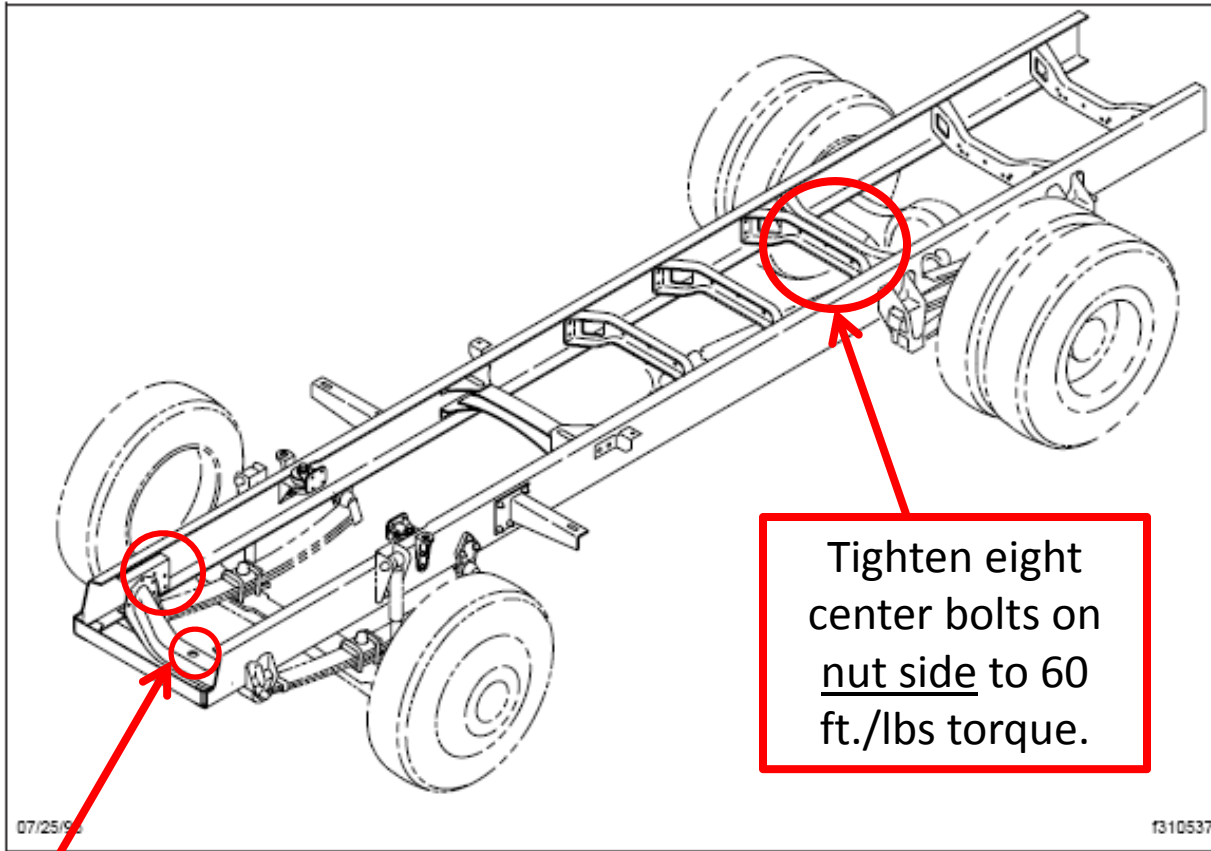


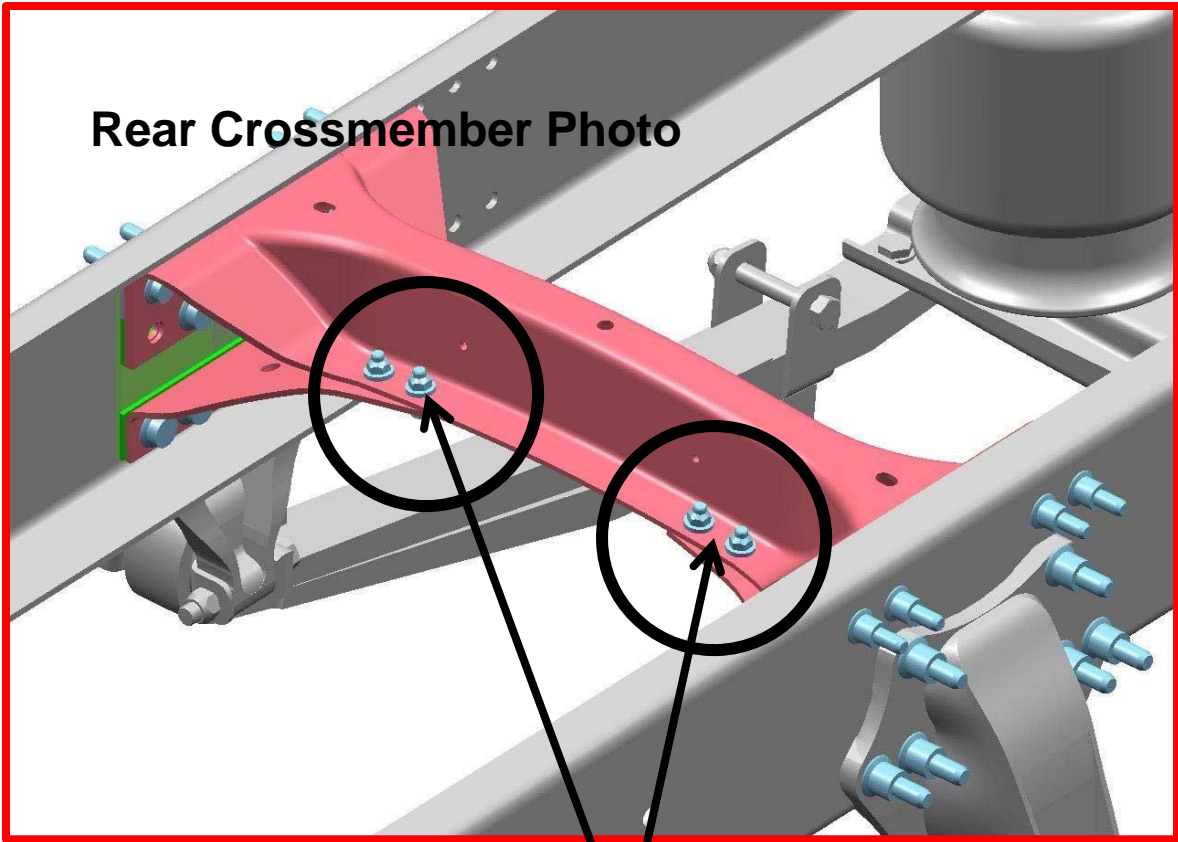
Fig. 1, Frame Assembly

Tighten eight center bolts on nut side to 60 ft./lbs torque.

Service Bulletin S405A. Perform Bulletin **and** check bolts in crossmember to frame for proper torque.



Rear Crossmember Photo



Check these eight bolts for proper torque of 60 ft. lbs. torque on the nut side of the fastener.





**Please see attachment for
service bulletin S405A.**

**Please do not confuse this with
previous crossmember
communications.**

**Please call Kerry or Woody at
800-440-3492 if you have any
questions.**

